

# Precision Ground

Wila, Trumpf, RF-A  
and LVD Style Tooling

Intro.....	3
Wila Style Tooling.....	4
Wila Style Punches.....	4
Wila Style Dies.....	8
Trumpf Style Tooling.....	14
Trumpf Style Punches.....	14
Trumpf Style Dies.....	17
LVD Style Tooling.....	20
LVD Style Punches.....	20
LVD Style Dies.....	24
RF-A Style Tooling.....	29
RF-A Style Punches.....	29
RF-A Style Dies.....	32

**Do you need something that you don't see in our catalog?  
Contact us! We have custom tooling solutions available in all styles.**

**Call Us Today!**  
**630.691.8665**

Toll Free: 866.322.8665

Fax: 630.691.8667

Email: [Sales@fabsupplyinc.com](mailto:Sales@fabsupplyinc.com)

**FAB Supply Inc.**, located in Glendale Heights, IL, is the first press brake tooling company in North America to achieve ISO 9001:2000 certification. This achievement is evidence of our commitment to total customer service and satisfaction.

Our unique ability to provide our customers with virtually any style and grade of tooling enables us to recommend to and furnish our customers with the best possible solution to their sheet metal forming challenges.

Working with tool design engineers both domestically and abroad, we are continually developing innovative designs and products that allow our customers to attain the highest levels of productivity.

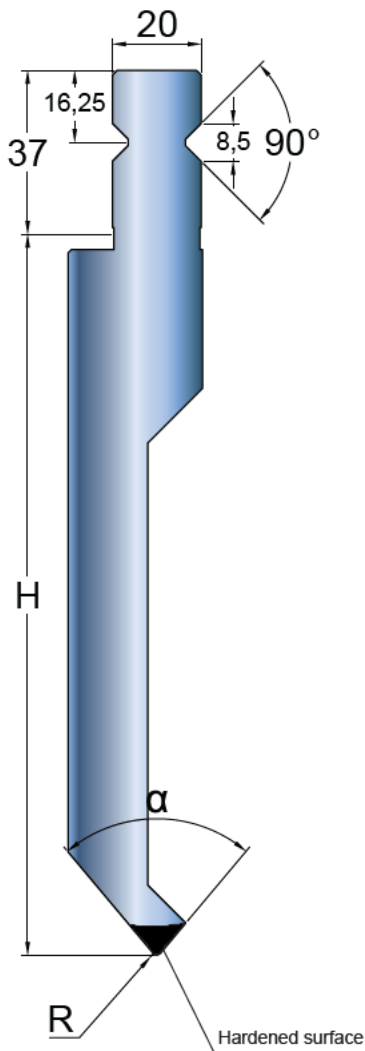
It is our goal to consistently recommend and provide the most appropriate, highest quality and cost-effective tooling for each application. Our commitment to this goal has made FAB Supply the supplier of choice for many of the most successful companies in the metal forming industry.

Whether it is precision ground tooling, special configurations, conventional tools, or the revolutionary Rolla-V lower dies, FAB Supply can give you the competitive edge. With a tooling inventory of over \$3.5 million and a dedicated commitment to on-time delivery of non-stock items, you can rely on FAB Supply to meet your company's needs.

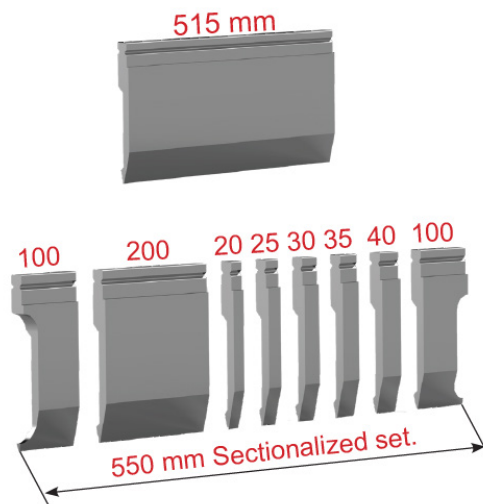
# Wila Style Tooling

## Wila Style Punches

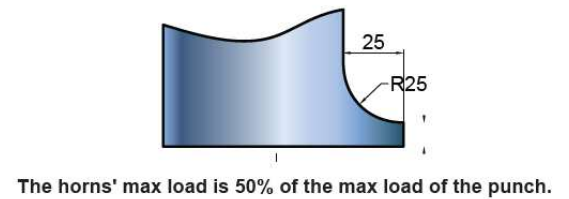
Standard Clamp



Standard Lengths



Standard Horn



### Safety Pins vs. Safety Clicks



Tools that weigh over 12.5Kg (27.5 lbs) will be equipped with **safety pins**, and need to be loaded from the side of the machine.

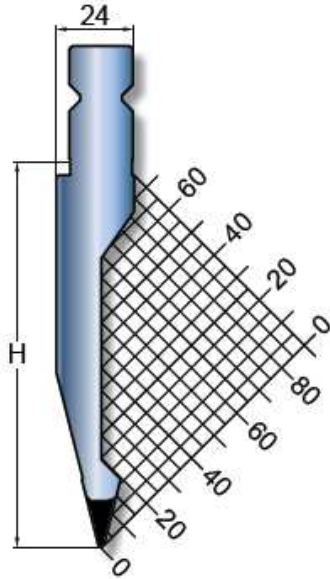


Tools that weigh under 12.5Kg (27.5 lbs) will be equipped with **safety clicks**, and can be loaded vertically into the machine.

**NOTE:**  
In both cases, spare parts available

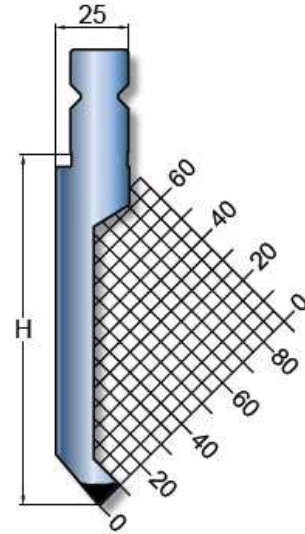
## FTP 011

<b>kN/m</b>	<b><math>\alpha</math></b>	<b>tn/ft</b>	<b>R</b>	<b>H</b>
1000	28°	34	1.00	120



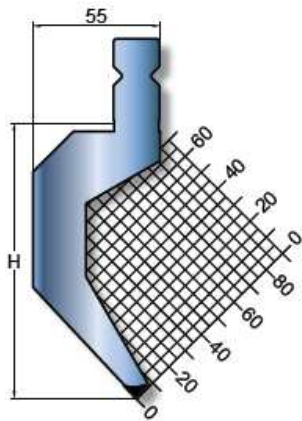
## FTP 012

<b>kN/m</b>	<b><math>\alpha</math></b>	<b>tn/ft</b>	<b>R</b>	<b>H</b>
1000	80°	34	1.00	120



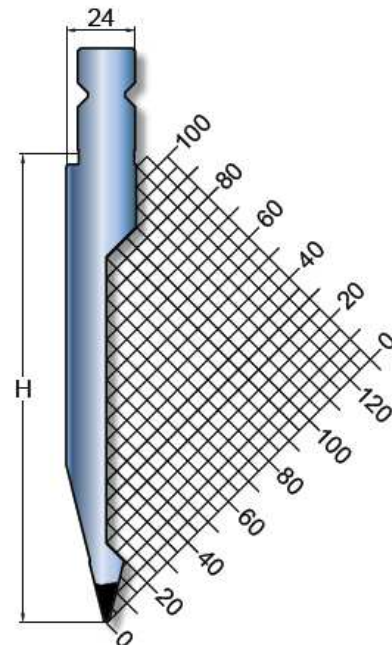
## FTP 013

<b>kN/m</b>	<b><math>\alpha</math></b>	<b>tn/ft</b>	<b>R</b>	<b>H</b>
650	86°	22	1.00	120



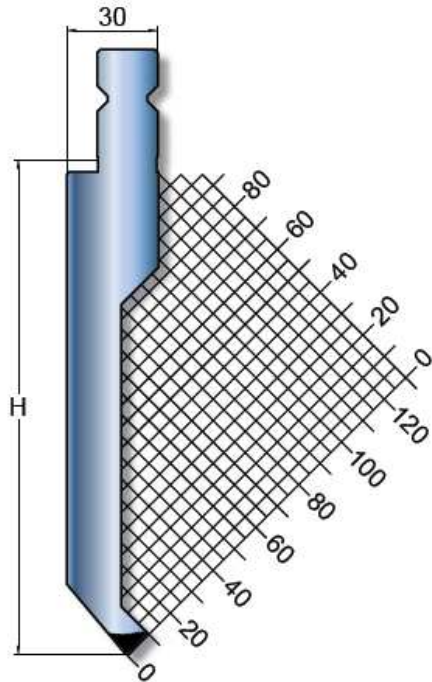
## FTP 021

<b>kN/m</b>	<b><math>\alpha</math></b>	<b>tn/ft</b>	<b>R</b>	<b>H</b>
700	28°	24	1.00	163



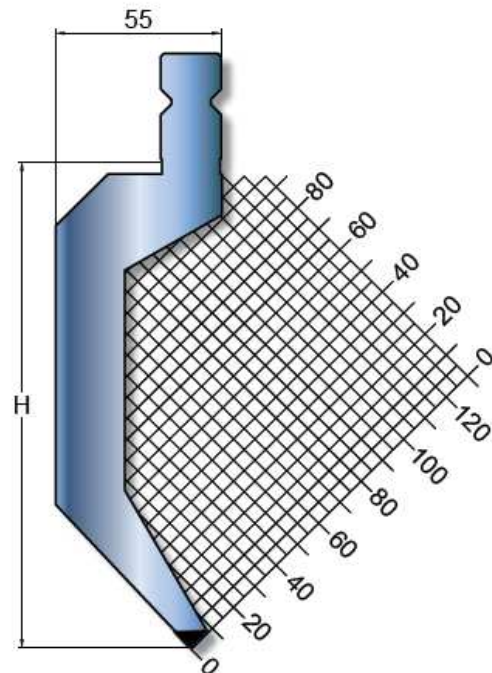
## FTP 022

<b>kN/m</b>	<b><math>\alpha</math></b>	<b>tn/ft</b>	<b>R</b>	<b>H</b>
800	80°	27	1.00	163



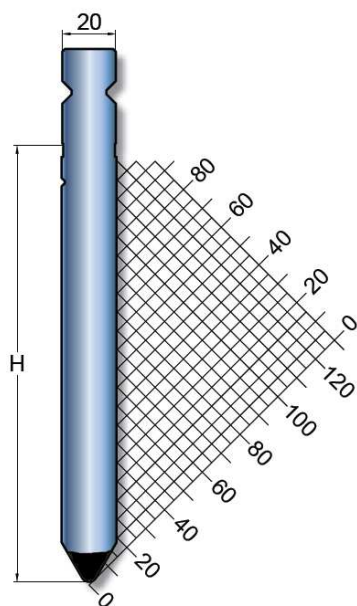
## FTP 023

<b>kN/m</b>	<b><math>\alpha</math></b>	<b>tn/ft</b>	<b>R</b>	<b>H</b>
650	86°	21	1.00	163



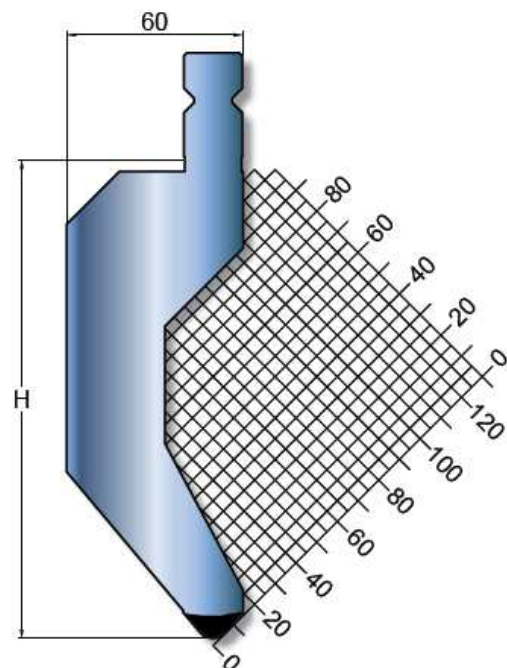
## FTP 024

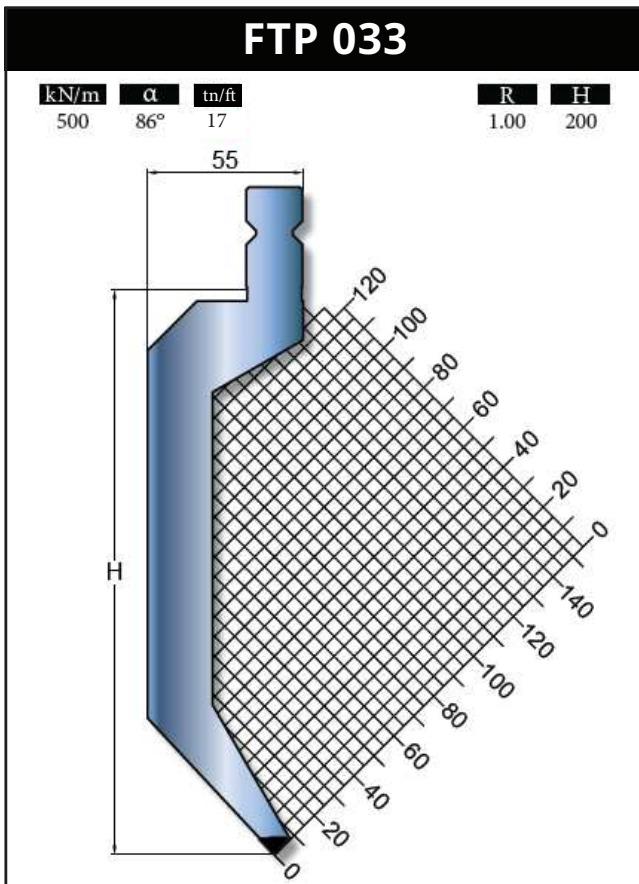
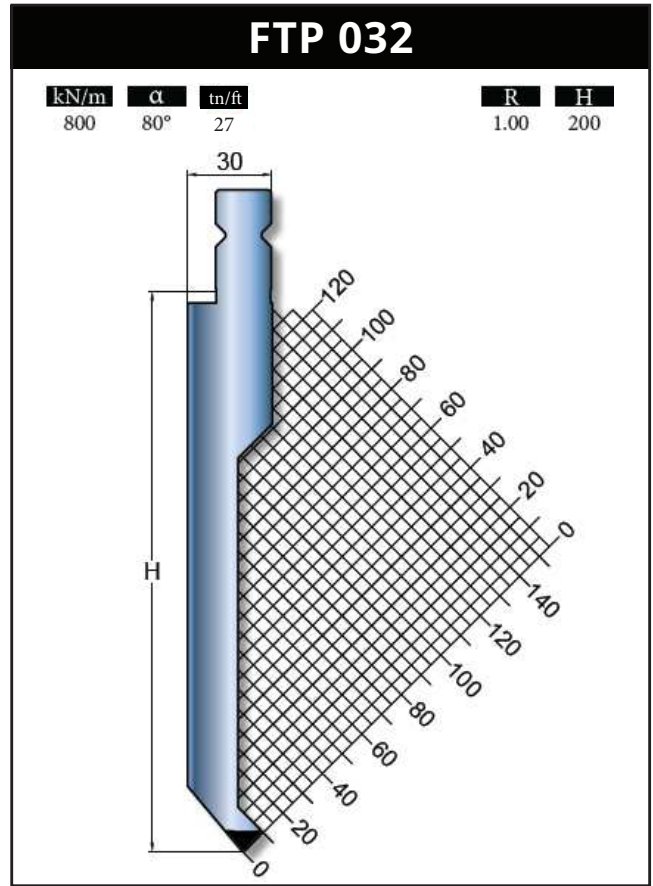
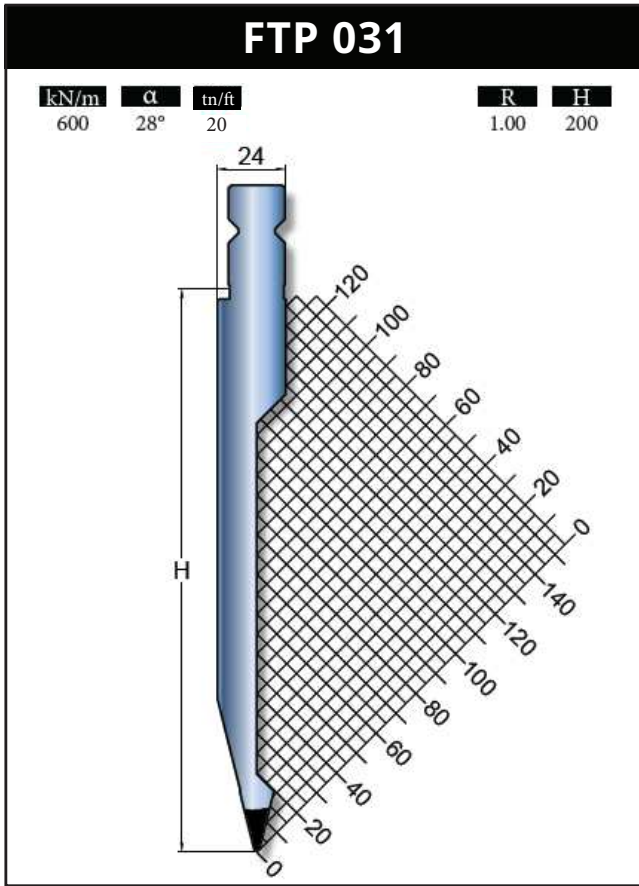
<b>kN/m</b>	<b><math>\alpha</math></b>	<b>tn/ft</b>	<b>R</b>	<b>H</b>
1600	60°	54	3.00	163



## FTP 025

<b>kN/m</b>	<b><math>\alpha</math></b>	<b>tn/ft</b>	<b>R</b>	<b>H</b>
1300	80°	44	6.00	163

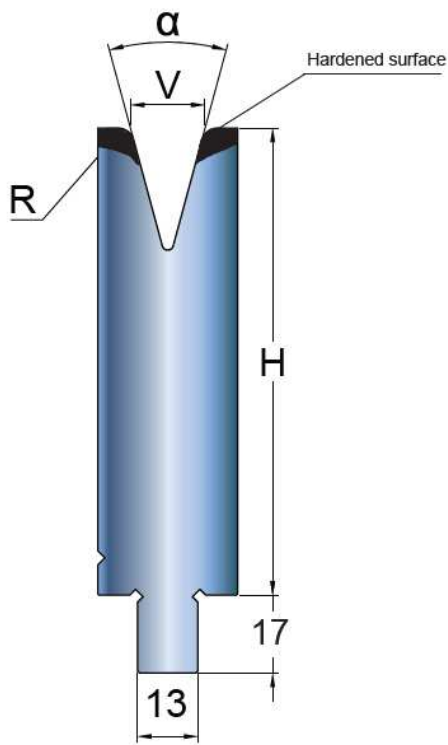




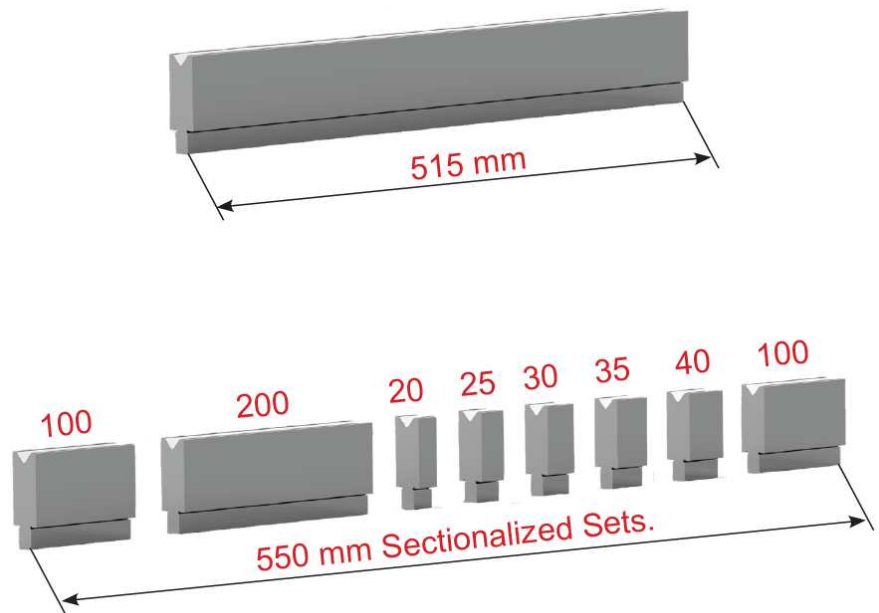
# Wila Style Tooling

## Wila Style Dies

Standard Clamp



Standard Lengths



**NOTE**

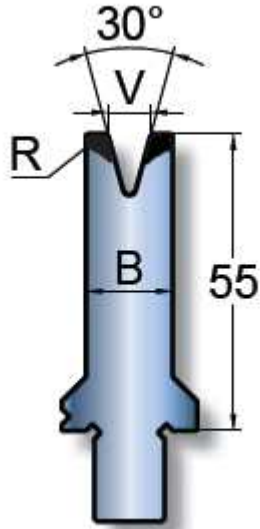
On request, we can produce the dies' clamping with the new "V-lock" system.







## 30° H=55



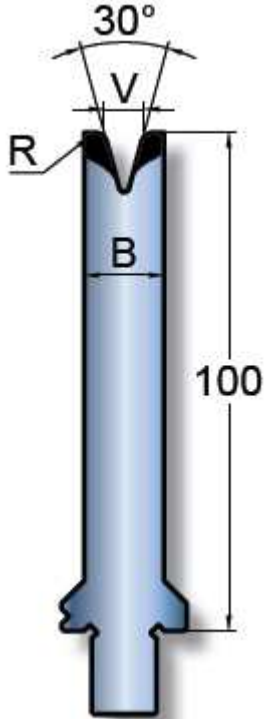
Code	V	R	B	kN/m	tn/ft
FLD 061	6	1.00	16	800	27
FLD 051	8	1.00	16	800	27
FLD 062	10	1.00	20	800	27
FLD 052	12	1.00	20	800	27

## 30° H=55

Code	V	R	B	kN/m	tn/ft



## 30° H=100

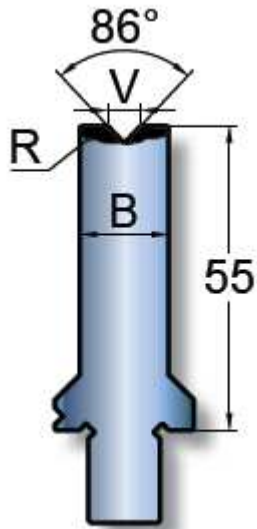


Code	V	R	B	kN/m	tn/ft
FLD 361	6	2.00	16	800	27
FLD 351	8	2.50	16	800	27
FLD 362	10	2.50	20	800	27
FLD 352	12	3.00	20	800	27

## 30° H=100

Code	V	R	B	kN/m	tn/ft

## 86° H=55

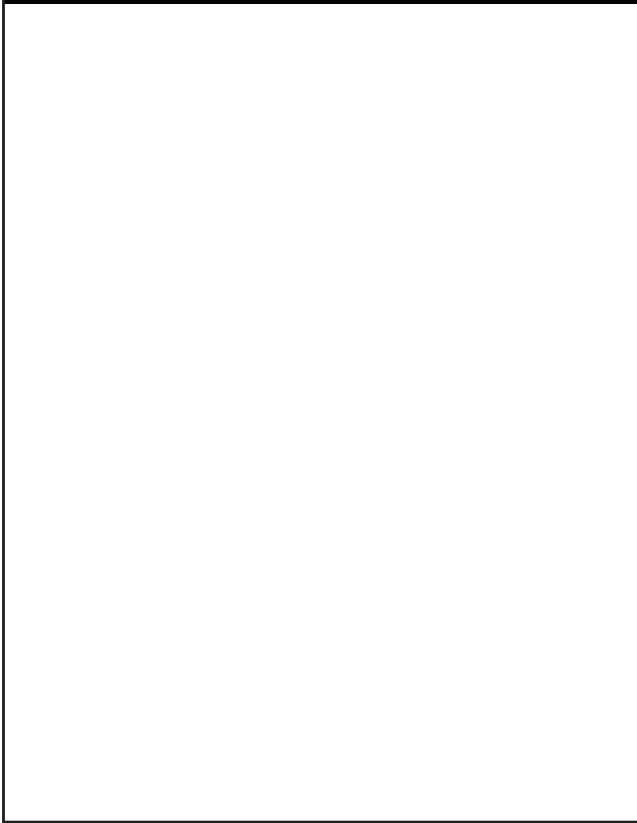


Code	V	R	B	kN/m	tn/ft
FLD 021	6	1.00	16	1200	40
FLD 010	8	1.00	16	1200	40
FLD 022	10	1.00	20	1200	40
FLD 011	12	1.00	20	1200	40

## 86° H=55

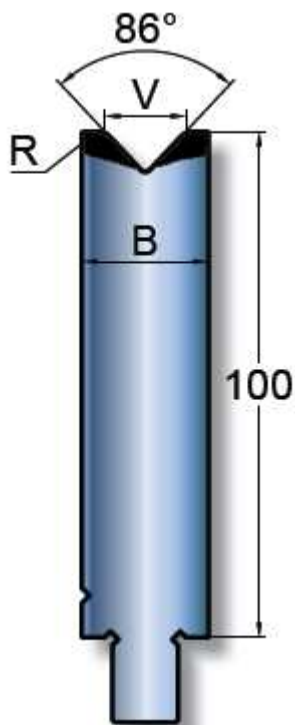
Code	V	R	B	kN/m	tn/ft
FLD 012	16	1.50	25	1200	40
FLD 023	20	2.00	30	1200	40

## 86° H=100



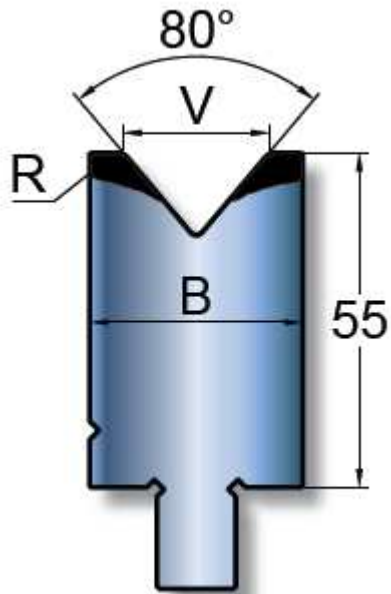
Code	V	R	B	kN/m	tn/ft
FLD 321	6	2.00	16	1200	40
FLD 310	8	2.50	16	1200	40

## 86° H=100



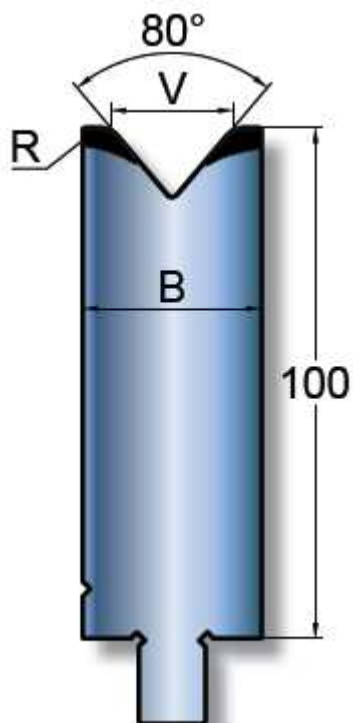
Code	V	R	B	kN/m	tn/ft
FLD 312	16	3.50	25	1200	40
FLD 323	20	4.00	30	1200	40

## 80° H=55



Code	V	R	B	kN/m	tn/ft
FLD 013	24	2.50	35	1250	42
FLD 014	30	3.00	40	1250	42
FLD 015	40	4.00	50	1250	42

## 80° H=100

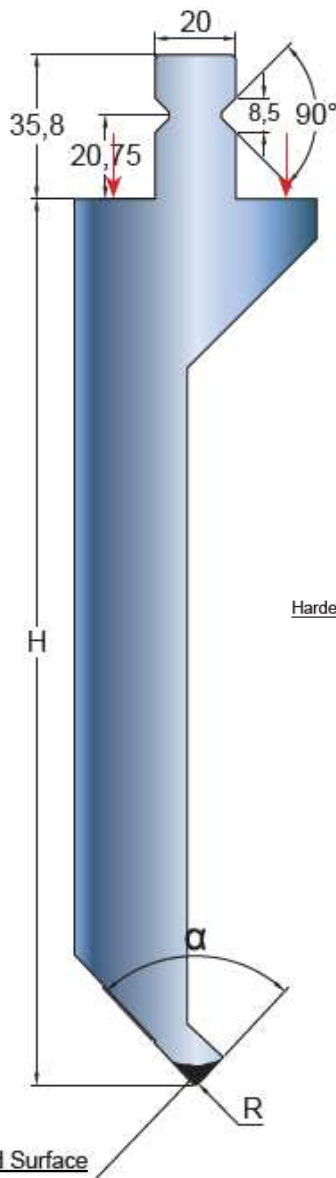


Code	V	R	B	kN/m	tn/ft
FLD 313	24	5.00	35	1250	42
FLD 324	30	6.00	40	1250	42

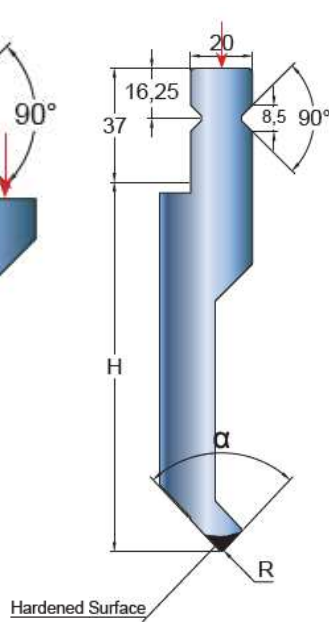
# Trumpf Style Tooling

## Trumpf Style Punches

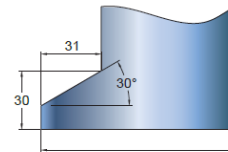
Shoulder Force



Head Force



Standard Horn



The horns' max load is 50% of the max load of the punch.

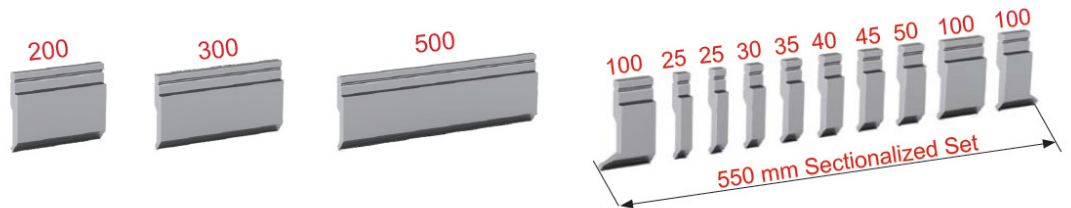
### Safety Pins vs. Safety Clicks



Tools that weigh over 12.5Kg (27.5 lbs) will be equipped with **safety pins**, and need to be loaded from the side of the machine.

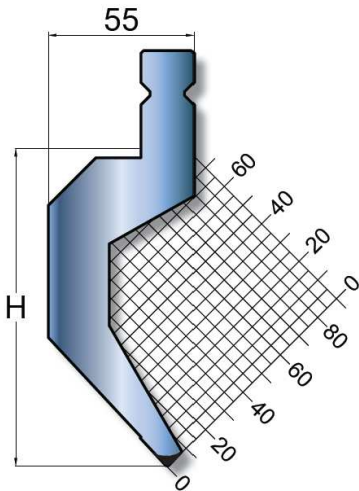
Tools that weigh under 12.5Kg (27.5 lbs) will be equipped with **safety clicks**, and can be loaded vertically into the machine.

### Standard Lengths



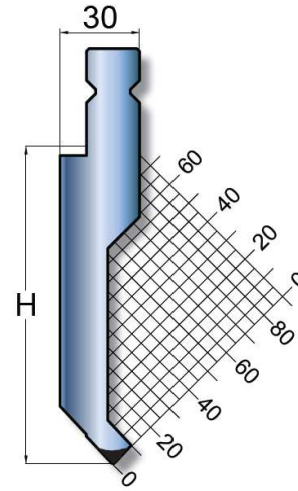
## TR 200K

kN/m	$\alpha$	tn/ft	R	H
800	86°	27	1.0	120.0



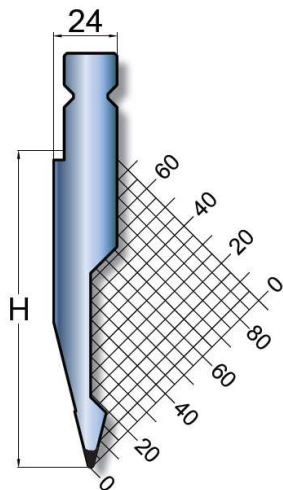
## TR 201K

kN/m	$\alpha$	tn/ft	R	H
800	86°	27	1.0	120.0



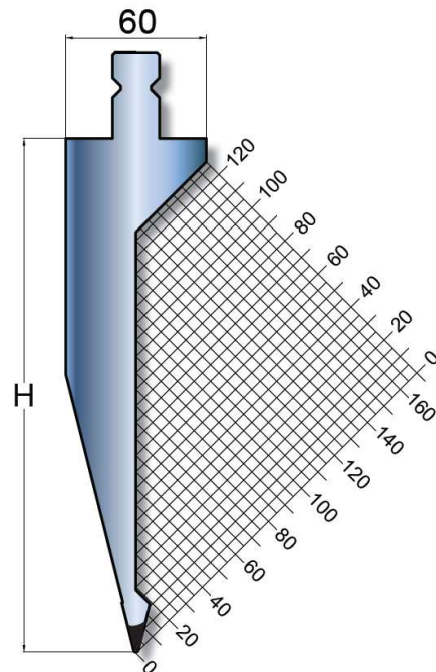
## TR 202K

kN/m	$\alpha$	tn/ft	R	H
600	28°	20	1.0	120.0



## TR 202S

kN/m	$\alpha$	tn/ft	R	H
600	28°	20	1.0	220.0

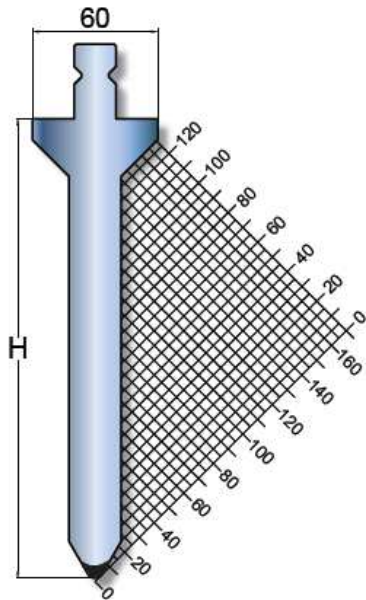


# Trumpf Style Tooling

## TR 203S

kN/m  $\alpha$  tn/ft  
2500 60° 84

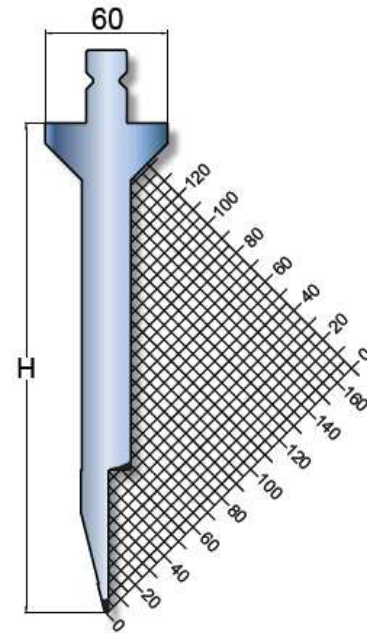
R H  
4.00 220.0



## TR 210S

kN/m  $\alpha$  tn/ft  
400 14° 14

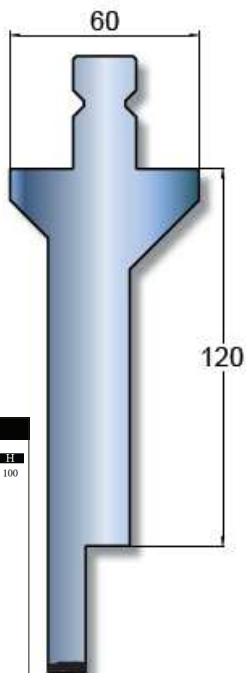
R H  
0.5 239.8  
1.0 240.0



## TR 209S

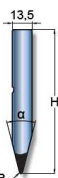
kN/m tn/ft  
2500 84

H  
120



### TR 320F

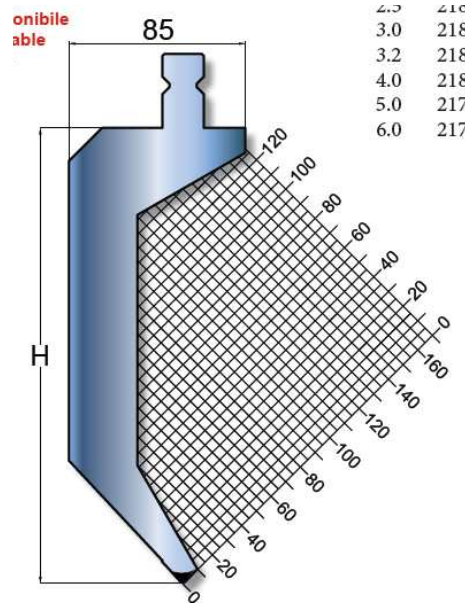
kN/m mm  $\alpha$  R H  
1000 34 28° 1.0 100



## TR 200S

kN/m  $\alpha$  tn/ft  
800 86° 27

R H  
0.5 239.8  
1.0 240.0



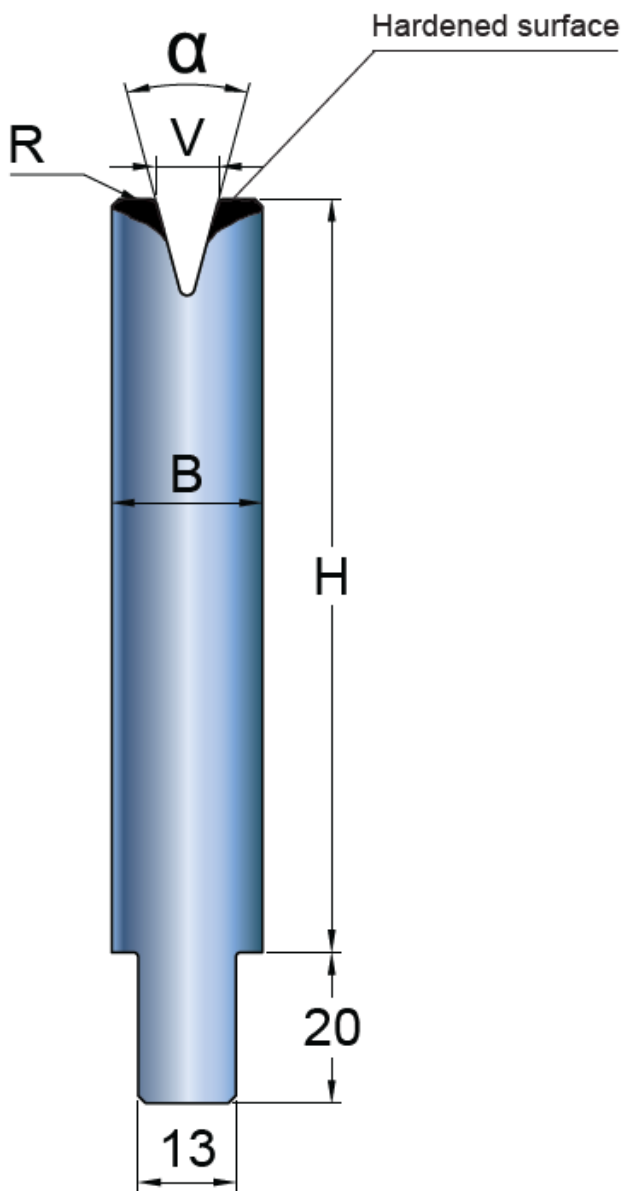
2.0 218  
3.0 218  
3.2 218  
4.0 218  
5.0 217  
6.0 217



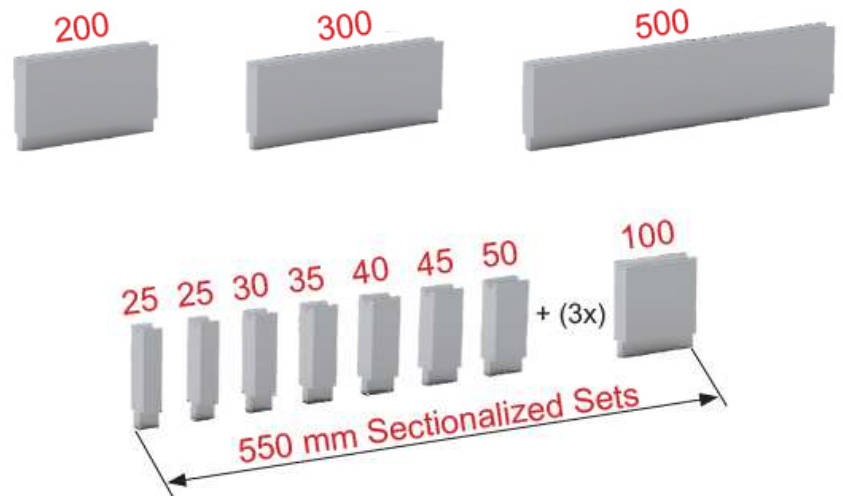
# Trumpf Style Tooling

## Trumpf Style Dies

Standard Clamp

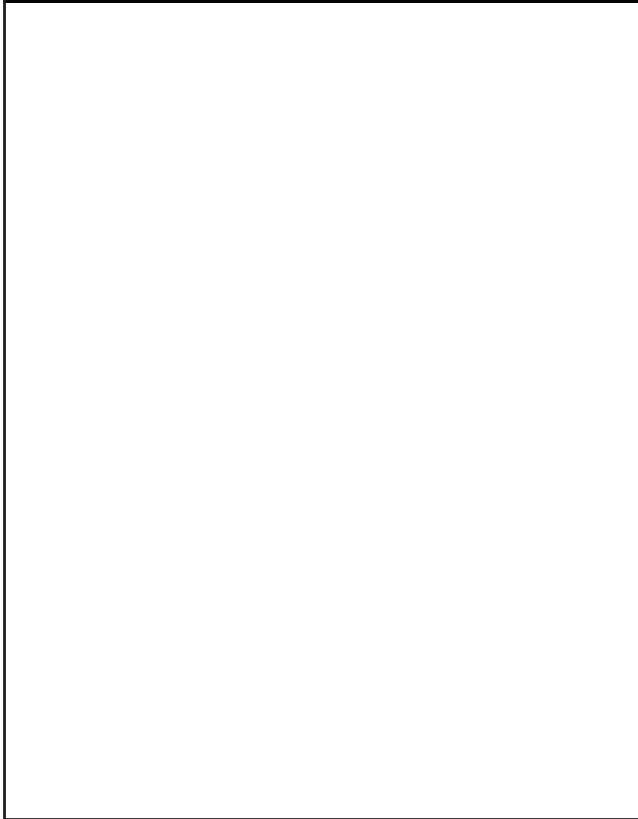


Standard Lengths



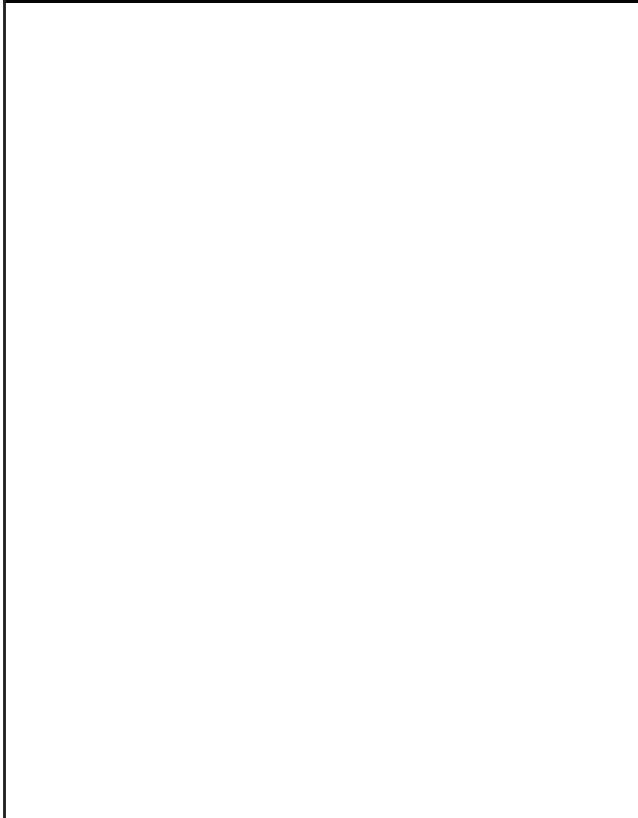


## 30° H=100



Code	V	R	B	kN/m	tn/ft
TRV830R1	8	1.0	20.0	400	14
TRV1230R1	12	1.0	25.0	400	14
TRV1630R16	16	1.6	30.0	500	17
TRV2030R2	20	2.0	35.0	600	20
TRV2430R25	24	2.5	40.0	650	22

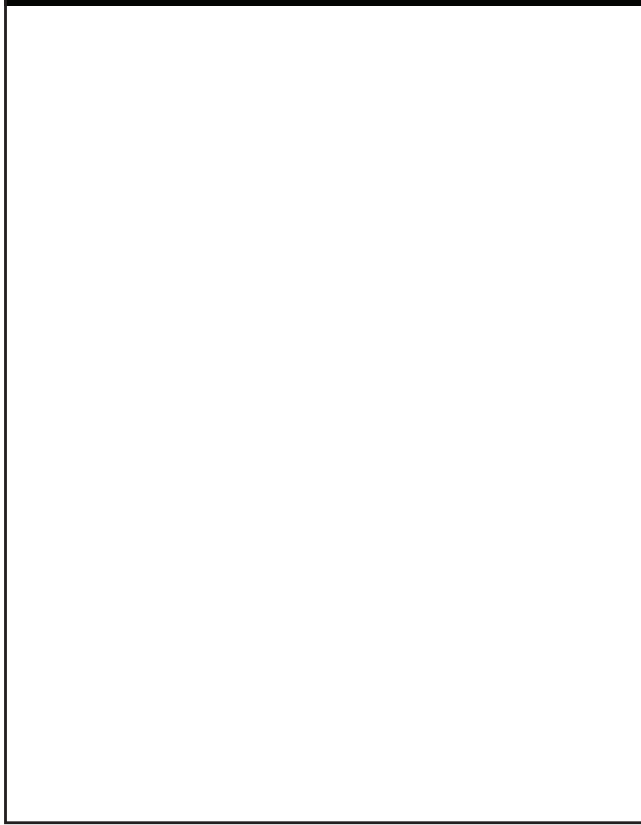
## 84° H=100



Code	V	R	B	kN/m	tn/ft
TRV1684R16	16	1.6	30.0	700	24



## 80° H=100 + 120

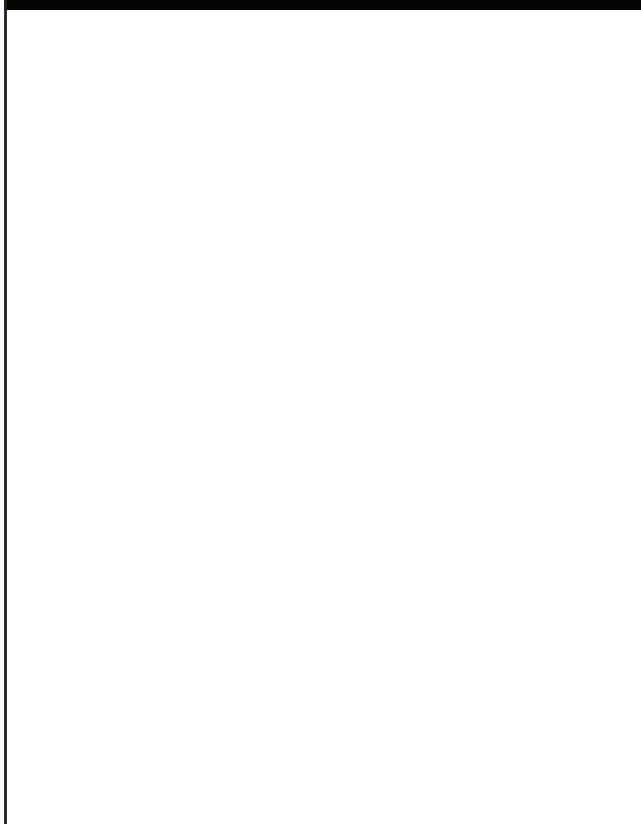


Code	V	R	B	kN/m	tn/ft
TRV2480R25	24	2.5	35.0	700	24
TRV3080R5	30	5.0	45.0	900	30
TRV4080R5	40	5.0	55.0	1200	40
TRV6080R5	60	5.0	75.0	1500	50

## 120mm



## TR FWZ

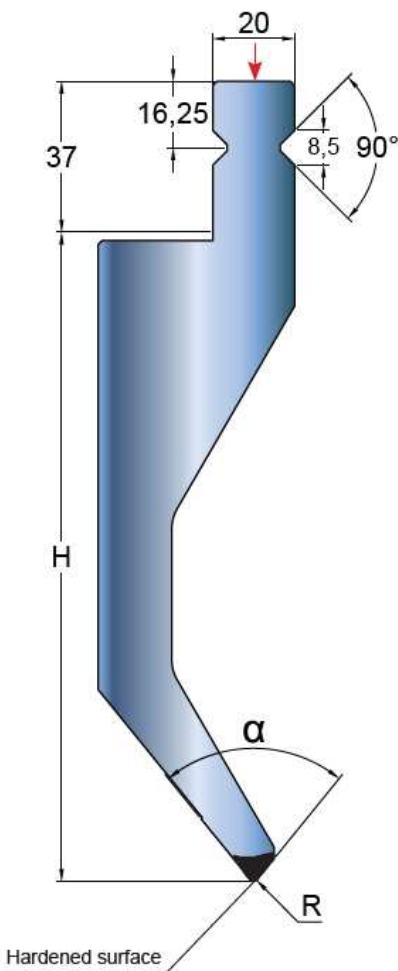


Code	V	R	B	kN/m	tn/ft
TR FWZ				1200	40

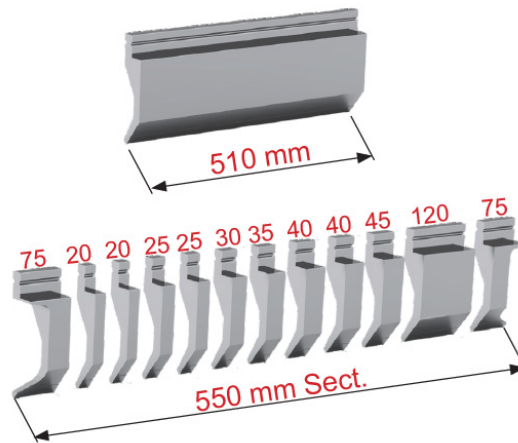
# LVD Style Tooling

## LVD Style Punches

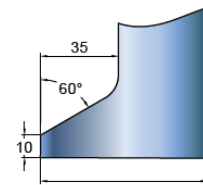
Standard Clamp



Standard Lengths



Standard Horn



The horns' max load is 50% of the max load of the punch.

Safety Pins vs. Safety Clicks

WEIGHT  
>12,5 Kg



WEIGHT  
≤12,5 Kg



Tools that weigh over 12.5Kg (27.5 lbs) will be equipped with **safety pins**, and need to be loaded from the side of the machine.

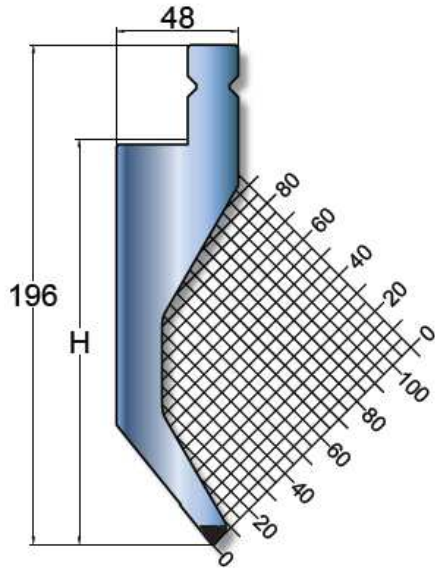
Tools that weigh under 12.5Kg (27.5 lbs) will be equipped with **safety clicks**, and can be loaded vertically into the machine.

**NOTE:**

In both cases, spare parts available

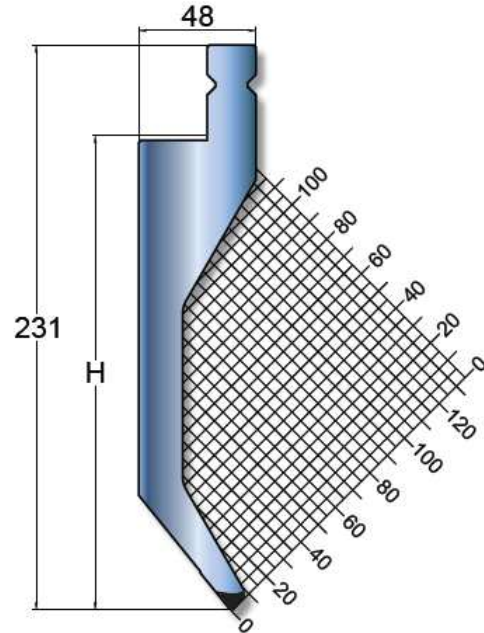
## LVDTP00001

kN/m	$\alpha$	tn/ft	R	H
400	78°	14	1.00	159



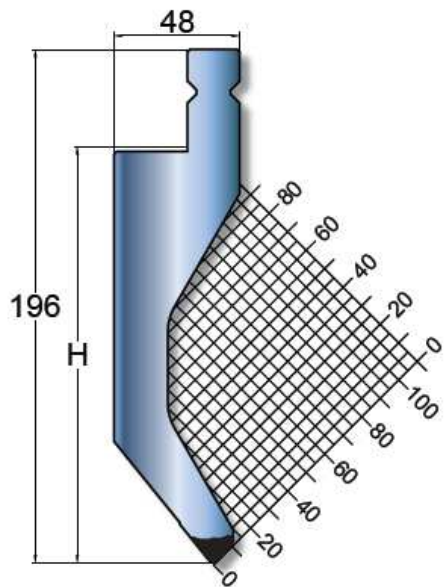
## LVDTP00002

kN/m	$\alpha$	tn/ft	R	H
400	78°	14	1.00	194



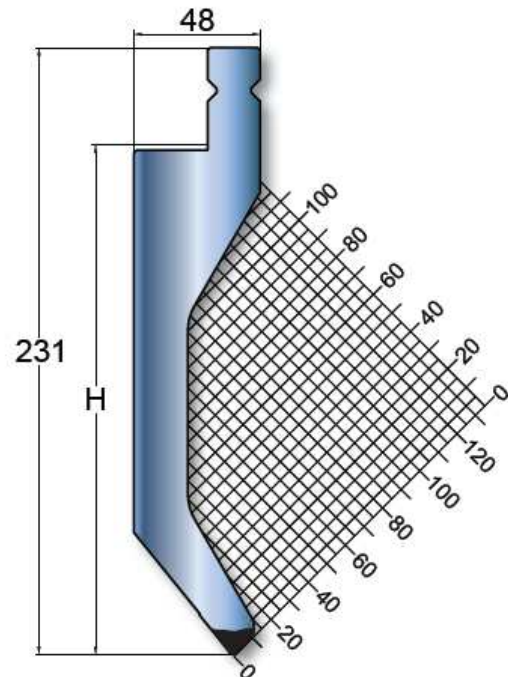
## LVDTP00003

kN/m	$\alpha$	tn/ft	R	H
750	78°	25	2.00	159



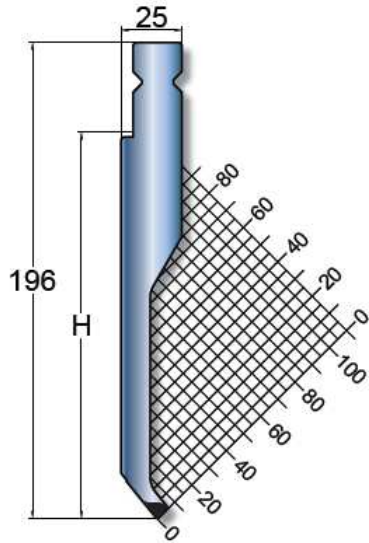
## LVDTP00004

kN/m	$\alpha$	tn/ft	R	H
750	78°	25	2.00	194



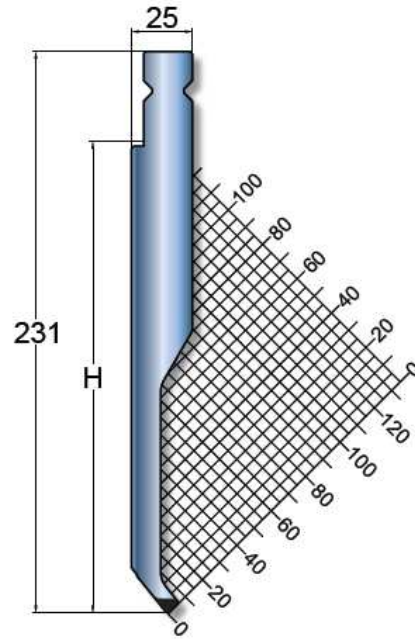
## LVDTP00005

<b>kN/m</b>	<b><math>\alpha</math></b>	<b>tn/ft</b>	<b>R</b>	<b>H</b>
400	78°	14	1.00	159



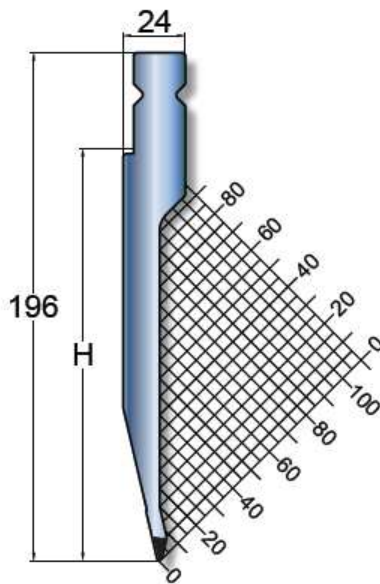
## LVDTP00006

<b>kN/m</b>	<b><math>\alpha</math></b>	<b>tn/ft</b>	<b>R</b>	<b>H</b>
400	78°	14	1.00	194



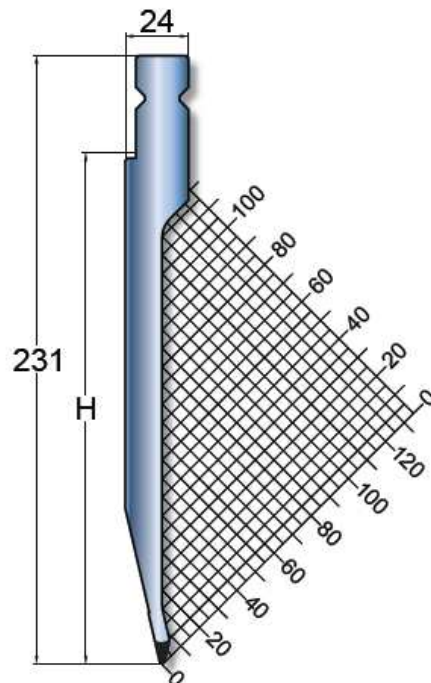
## LVDTP00009

<b>kN/m</b>	<b><math>\alpha</math></b>	<b>tn/ft</b>	<b>R</b>	<b>H</b>
400	26°	14	1.00	159



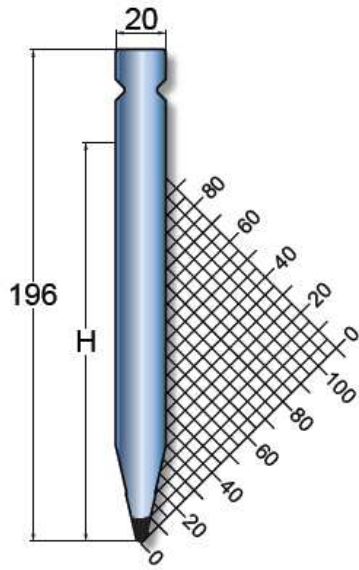
## LVDTP00010

<b>kN/m</b>	<b><math>\alpha</math></b>	<b>tn/ft</b>	<b>R</b>	<b>H</b>
400	26°	14	1.00	194



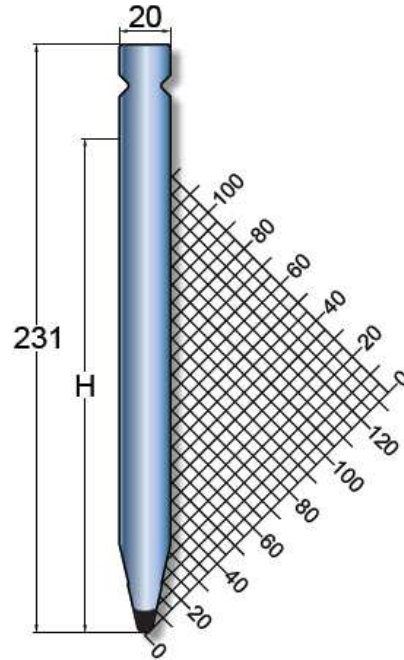
## LVDTP00013

<b>kN/m</b>	<b><math>\alpha</math></b>	<b>tn/ft</b>	<b>R</b>	<b>H</b>
800	26°	27	2.00	159.00



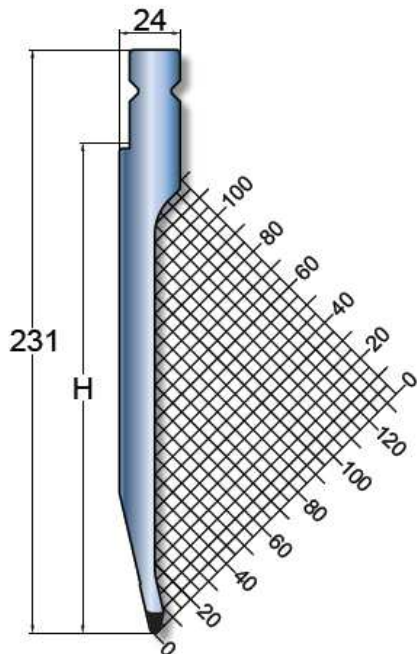
## LVDTP00014

<b>kN/m</b>	<b><math>\alpha</math></b>	<b>tn/ft</b>	<b>R</b>	<b>H</b>
1200	26°	40	3.00	194



## LVDTP00052

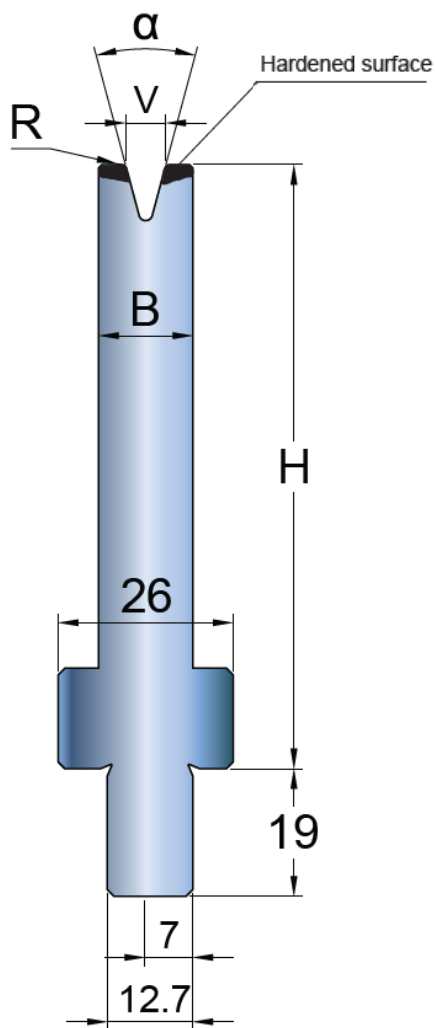
<b>kN/m</b>	<b><math>\alpha</math></b>	<b>tn/ft</b>	<b>R</b>	<b>H</b>
600	26°	20	2.00	194



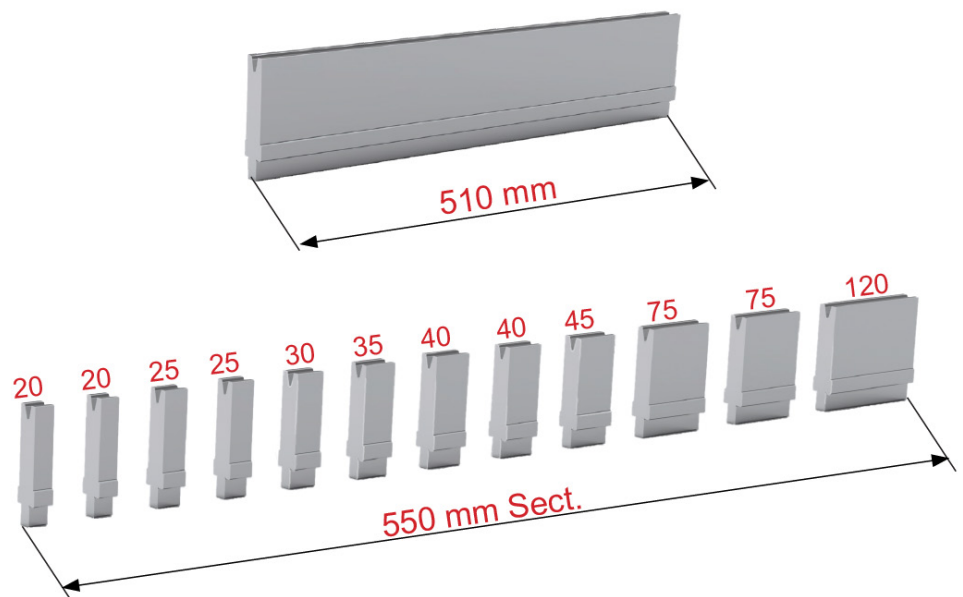
# LVD Style Tooling

## LVD Style Dies

Standard Clamp

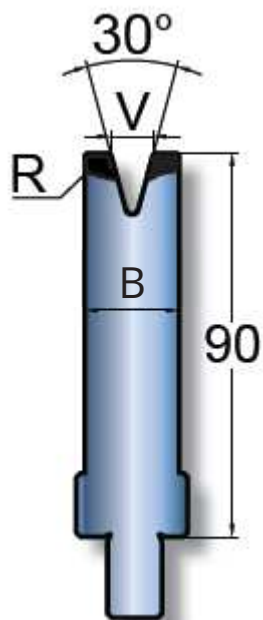


Standard Lengths





## 30° H=90



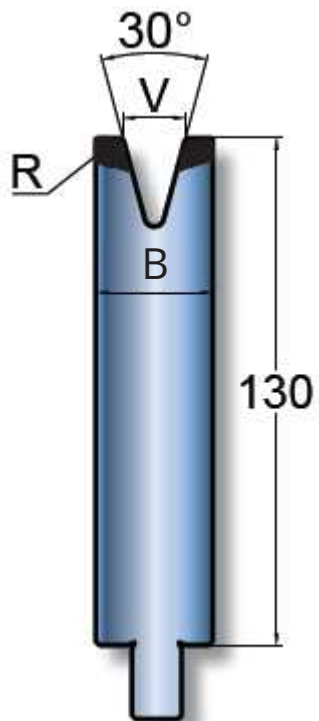
Code	V	R	B	kN/m	tn/ft
LVDTP00081	8	0.8	16	260	9
LVDTP00085	10	1.0	22	360	12

## 30° H=90

Code	V	R	B	kN/m	tn/ft
LVDTP00089	12	1.2	26		



## 30° H=130

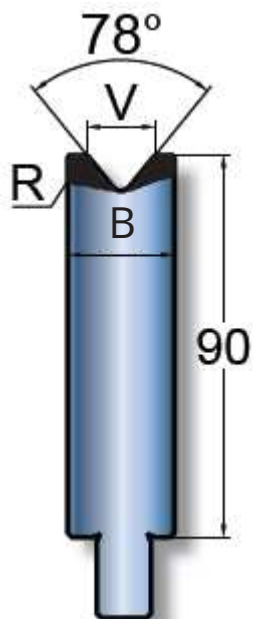


Code	V	R	B	kN/m	tn/ft
LVDTP00098	16	1.6	30	510	17
LVDTP00110	24	2.4	46	930	31
LVDTP00090	24	5.00	35	1250	42
LVDTP00114	30	3.0	56	1100	37

## 78° H=90

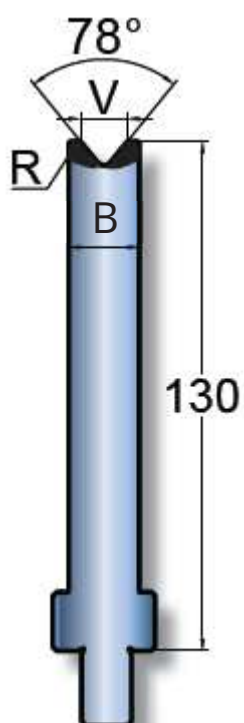
Code	V	R	B	kN/m	tn/ft

## 78° H=90



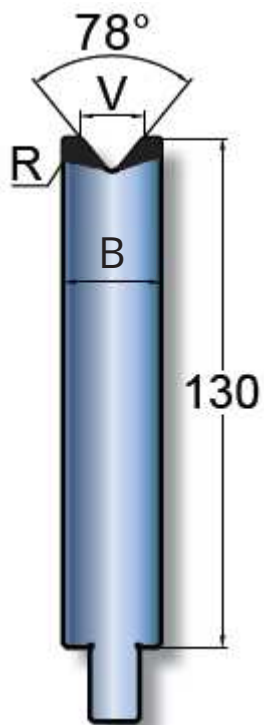
Code	V	R	B	kN/m	tn/ft
LVDTP00111	24	2.4	32	910	30
LVDTP00117	30	3.0	40	1150	38
LVDTP00129	40	4.0	50	1350	45

## 78° H=130



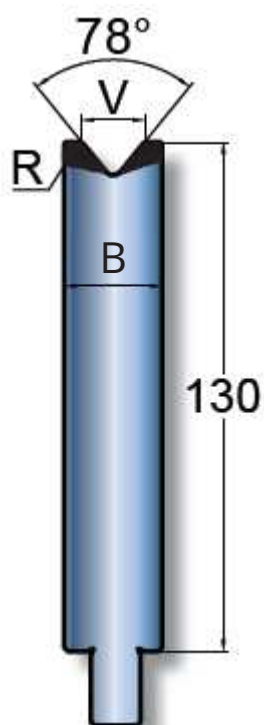
Code	V	R	B	kN/m	tn/ft
LVDTP00092	12	1.2	18	500	17

## 78° H=130



Code	V	R	B	kN/m	tn/ft
LVDTP00112	24	2.4	32	910	30
LVDTP00118	30	3.0	40	1150	38

## 78° H=130

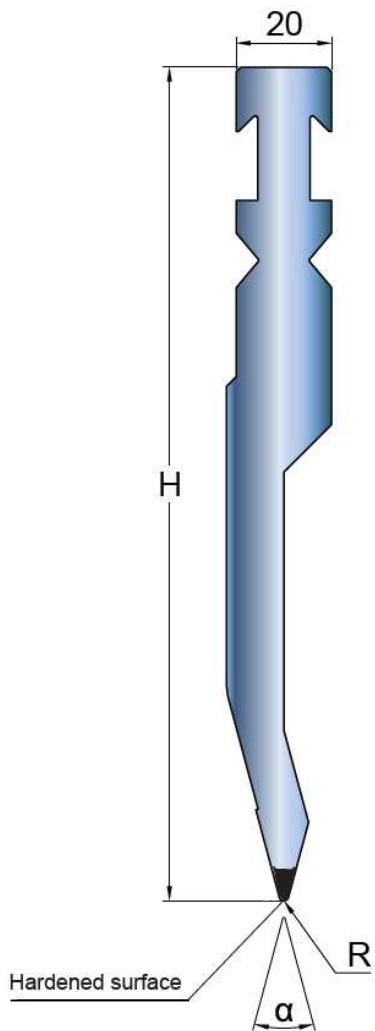


Code	V	R	B	kN/m	tn/ft
LVDTP00130	40	4.0	50	1350	45

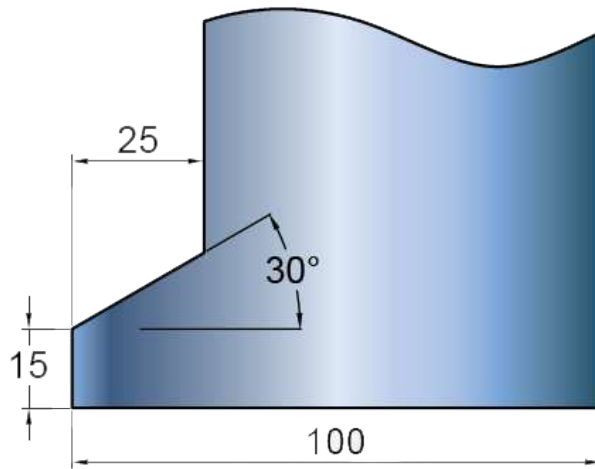
# RF-A Style Tooling

## RF-A Style Punches

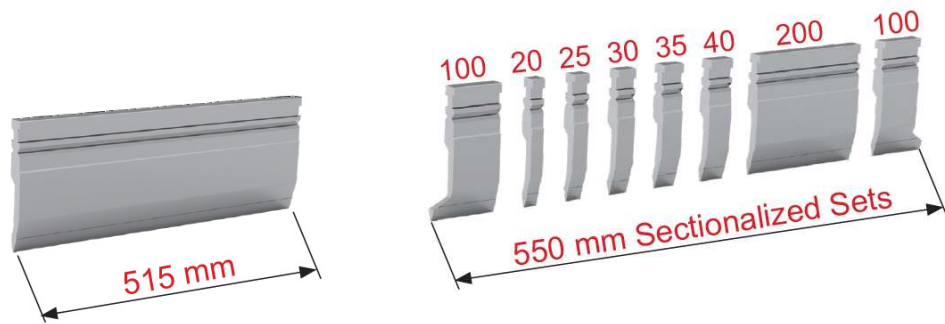
Standard Clamp



Standard Horn



Standard Lengths



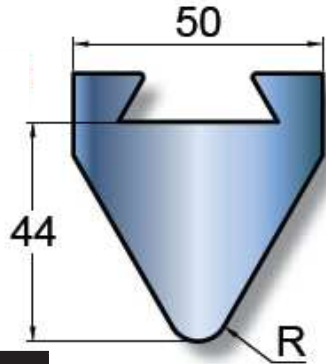
**NOTE**

The horns' max load is 50% of the max load of the punch.

## ROUNDS FOR BEP12R

**kN/m**  
4000

**tn/ft**  
134



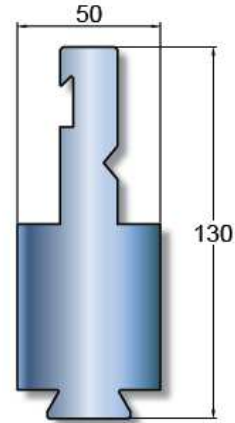
Code	R
BEP12R6H	6
BEP12R8H	8
BEP12R10H	10
BEP12R12H	12
BEP12R15H	15
BEP12R20H	20

## BEP12RFA

**kN/m**  
1600

**tn/ft**  
54

**H**  
130



## BEP4RFA

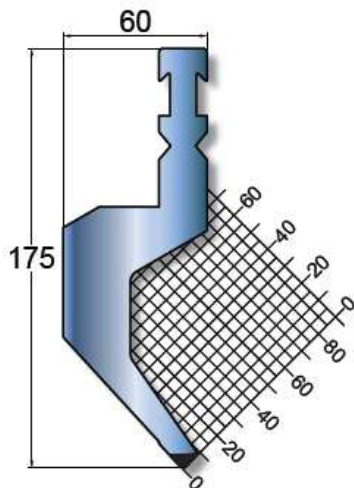
**kN/m**  
600

**α**  
85°

**tn/ft**  
20

**R**  
1.5

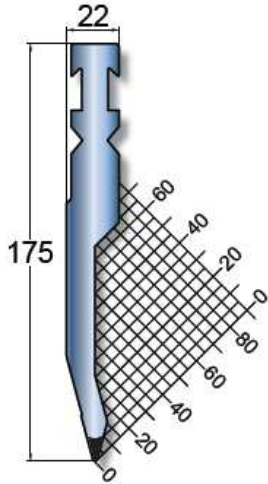
**H**  
175



## BEP5RFA

**kN/m** **α** **tn/ft**  
1000 30° 34

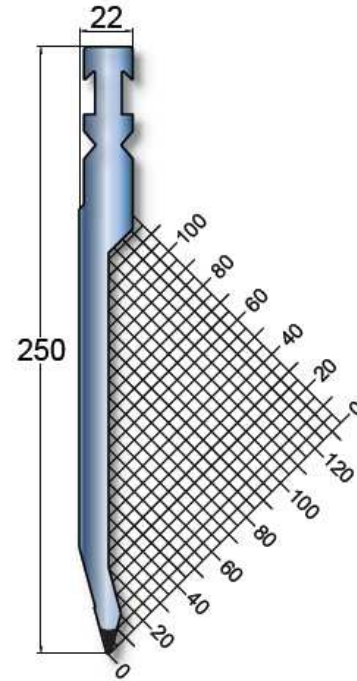
**R** **H**  
1.0 175



## BEP5RFA250

**kN/m** **α** **tn/ft**  
750 30° 25

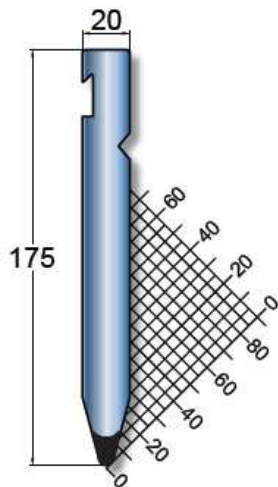
**R** **H**  
1.0 250



## BEP7RFA

**kN/m** **α** **tn/ft**  
1600 30° 54

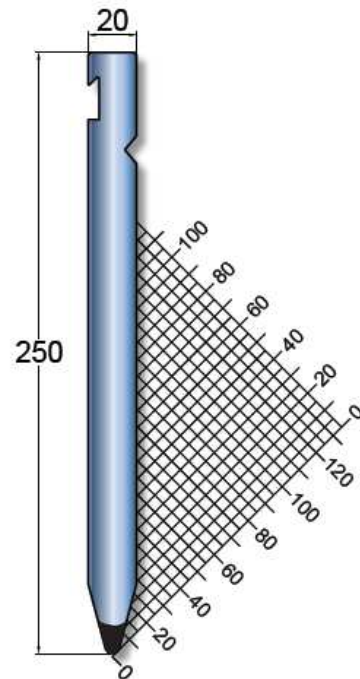
**R** **H**  
3.0 175



## BEP7RFA250

**kN/m** **α** **tn/ft**  
1600 30° 54

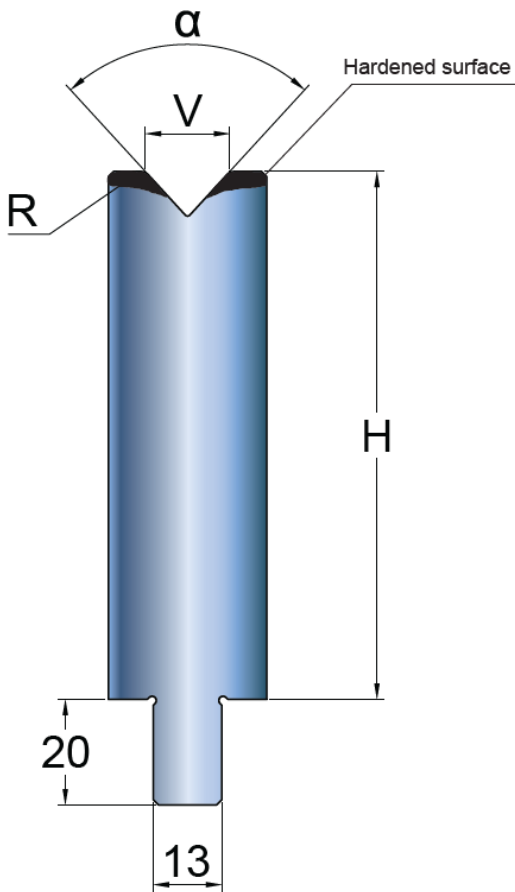
**R** **H**  
3.0 250



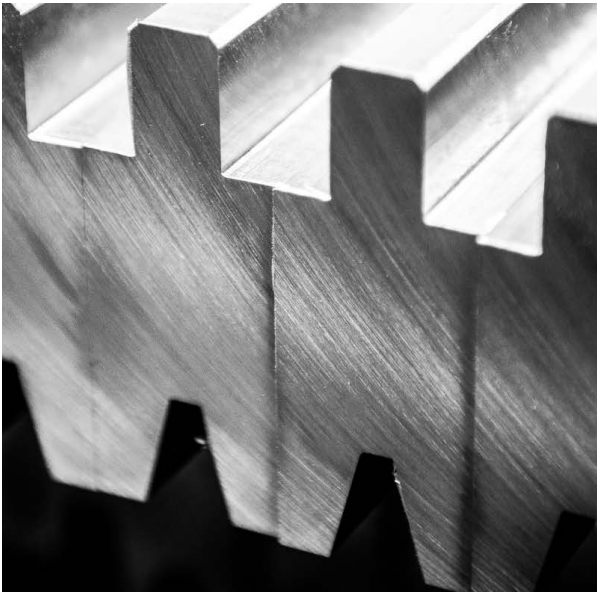
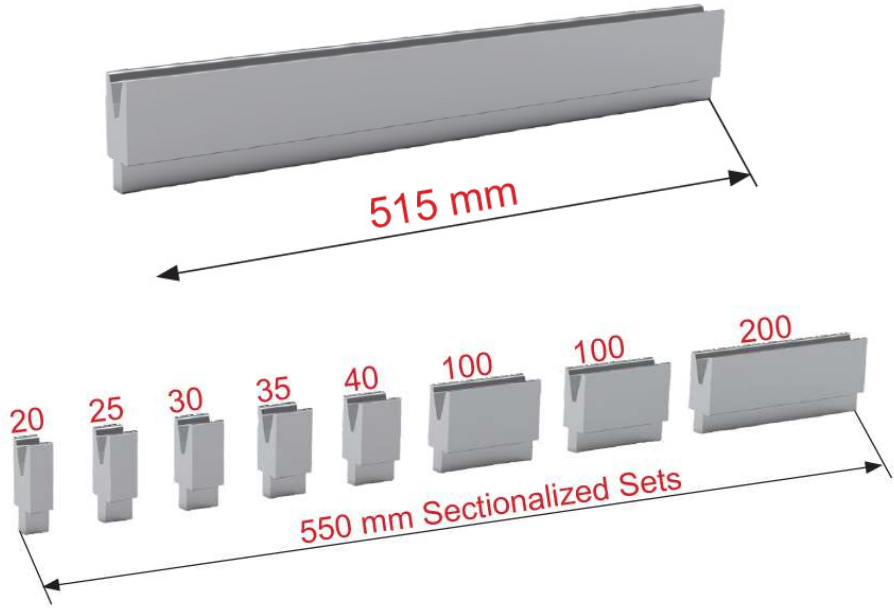
# RF-A Style Tooling

## RF-A Style Dies

Standard Clamp



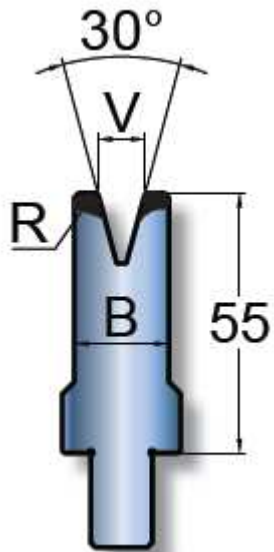
Standard Lengths





# RF-A Style Tooling

**30° H=55**



Code	V	R	B	kN/m	tn/ft
------	---	---	---	------	-------

BEM6	6	0.75	20	800	27
------	---	------	----	-----	----

BEM8	8	1.00	20	1000	34
------	---	------	----	------	----

BEM10	10	1.00	20	700	24
-------	----	------	----	-----	----

**30° H=55**

Code	V	R	B	kN/m	tn/ft
------	---	---	---	------	-------

BEM12	12	1.50	25	850	28
-------	----	------	----	-----	----

BEM16	16	2.00	30		
-------	----	------	----	--	--

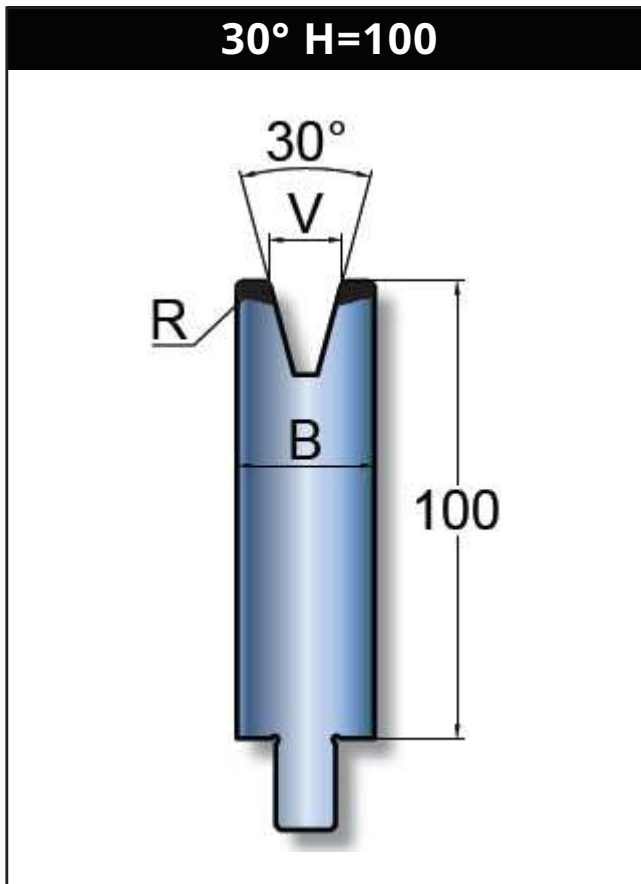
--	--	--	--	--	--

--	--	--	--	--	--

# RF-A Style Tooling



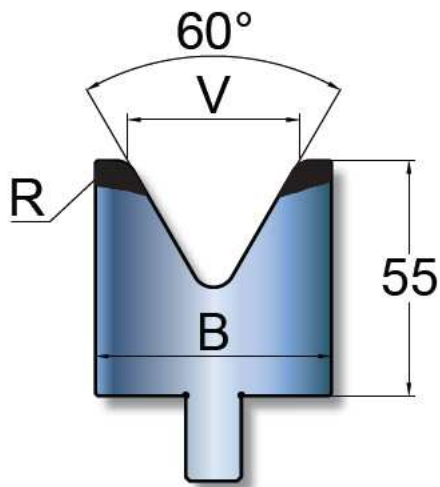
Code	V	R	B	kN/m	tn/ft
BEM630H100					



Code	V	R	B	kN/m	tn/ft
BEM1230H100	12	1.50	25	900	30
BEM1630H100	16	2.00	30	1000	34
BEM2030H100	20	2.50	30	600	20
BEM2430H100	24	3.00	40	1100	37
BEM3230H100	32	4.00	48	1100	37

# RF-A Style Tooling

**60° H=55**



Code	V	R	B	kN/m	tn/ft
BEM4060	40	5.00	55	1800	60
BEM5060	50	5.00	70	1800	60
BEM6060	60	7.00	80	1600	54

Code	V	R	B	kN/m	tn/ft
------	---	---	---	------	-------

BEM4060H100	40	5.00	55	1800	60
BEM6060H100	60	7.00	80	1600	54

# FAB SUPPLY

---

INCORPORATED

**This catalog illustrates our standard range of tools.**

If you do not see the product that you require we can work together for a solution based on your specifications and needs.

*Please call to discuss your individual requirements.*

**Call Us Today!**

**630.691.8665**

Toll Free: 866.322.8665

Fax: 630.691.8667

Email: [Sales@fabsupplyinc.com](mailto:Sales@fabsupplyinc.com)

**[WWW.FABSUPPLYINC.COM](http://WWW.FABSUPPLYINC.COM)**

**About the company:** Fab Supply is an ISO 9001 certified, full-service provider of press brake tooling and accessories. Products include precision ground tooling for all Trumpf, Bystronic, LVD and Amada machines, Rolla-V, conventional tooling, adjustable press brake dies, tooling cabinets and safety products.

**Fab Supply Inc.**

2000 Bloomingdale Road, Unit 220

Glendale Heights IL 60139